

MobiLever®

ESX MOBILE WORK POSITIONERS

Bishamon®



Bishamon ESX Series MobiLever® work positioners are fully adjustable, weight sensitive, self-leveling scissor tables with push-bars and casters. ESX Series work positioners provide improved ergonomics, productivity and efficiency by automatically raising and lowering during loading and unloading so the worker does not have to stoop, bend or strain.

As the load weight changes, the ESX either raises or lowers, keeping the top of the load at a convenient height. The springs can easily be adjusted to accommodate load ranges without the need to change springs. Automatic placement of the load at a convenient work height while providing the mobility to locate the lift where it is needed makes the ESX a valuable ergonomic tool for your facility.

ESX work positioners are available in two weight capacities and table sizes to satisfy a wide variety of applications. The MobiLever® is ideal for pick-and-place operation or any other procedure where materials are being off loaded and later reloaded. Typical applications are found throughout the manufacturing, processing and distribution sectors wherever worker fatigue or damage to sensitive products can be reduced.

Bishamon

Bishamon Industries Corporation

5651 East Francis Street
Ontario, California 91761-3601

(909) 390-0055 • (800) 358-8833
Fax (909) 390-0060

www.bishamon.com

Warranty - Bishamon Industries Corp. ("Bishamon") warrants its products to be free from defects in material and workmanship for a period of one (1) year from the date of initial shipment. This warranty shall not apply to any misuse, mishandling, accident, shipping, alteration, or unauthorized repair of any Bishamon product or part. For complete details of warranty, please contact Bishamon at 800-358-8833.

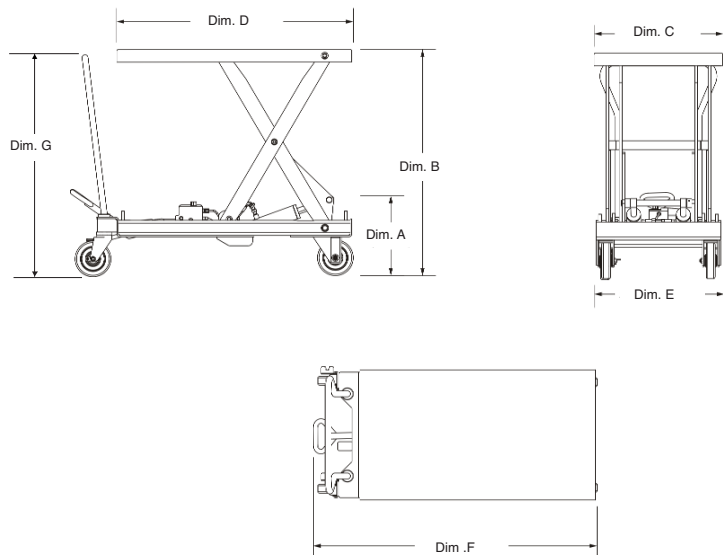


MobiLeveler®

ESX MOBILE WORK POSITIONERS

Working Harder To
Make Your Life Easier

MobiLeveler ESX



Selector Table for ESX Series Self Leveling Mobile Lift Tables

Model	Travel (in)	Collapsed Cap. Range (lbs)		Height (in)		Table Sizes (in)		Overall Size (in)			Ship Weight (lbs)
		Min.	Max.	Min.	Max.	Width	Length	Width	Length	Height	
ESX-10	15.8	66	220	10.4	26.2	17.8	27.6	17.8	33.3	31.3	90
ESX-21	16.6	175	460	13.8	30.4	19.8	32.3	19.8	40.0	35.5	170
ESX-40	16.6	220	880	14.5	31.1	20.5	39.8	20.5	48.5	35.5	280

Standard Features

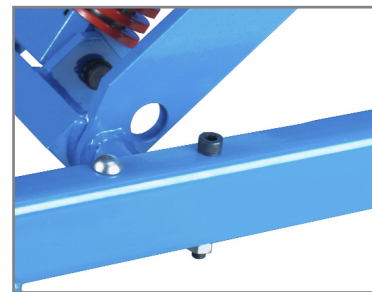
- Load weight compensating
- Easily accessible gauged weight-selector knob
- Single and dual spring models
- Heavy-duty maintenance, scissor locking pin
- High quality casters with brake
- Steel work platforms
- Rugged construction, with heavy-gauge steel and sturdy welds throughout
- Clean design with minimum of maintenance requirement
- Durable powder coated finish



Convenient gauged weight selector knob for adjusting spring resistance



High quality casters with locking brake for smooth transport



Heavy-duty, scissor locking pin prevents the unit from lowering for maintenance

Bishamon Industries Corporation

5651 East Francis Street
Ontario, California 91761-3601
(909) 390-0055 • (800) 358-8833
Fax (909) 390-0060

www.bishamon.com

DISTRIBUTED BY: