

## The only pallet transporter and positioner that can lift a standard pallet or skid without straddling it!




Patent Pending

The Bishamon UniLift™ gives you the best of both worlds. It maneuvers like a pallet jack and lifts like a stacker. It is the only product available that can transport and lift a closed bottom pallet without straddling it. In the past, straddle stackers were the only product available to manually transport and lift a pallet. However, these products proved to be very difficult and cumbersome to maneuver. The new Bishamon UniLift rolls, steers, and maneuvers like a typical pallet jack, enabling easy transport and precise load positioning. Combining these features with the ability to raise a pallet to a convenient working height truly gives you the best of both worlds.

Like all Bishamon products, the UniLift improves worker productivity and safety. By bringing the load closer to the worker, the UniLift reduces operator stress and fatigue, while improving productivity.

The Bishamon UniLift's design is unique from the ground up. Revolutionary, deployable outriggers supply high lift load support without straddling the load. will provide years of trouble-free operation.

### Bishamon

Bishamon Industries Corporation

5651 East Francis Street  
Ontario, California 91761-3601

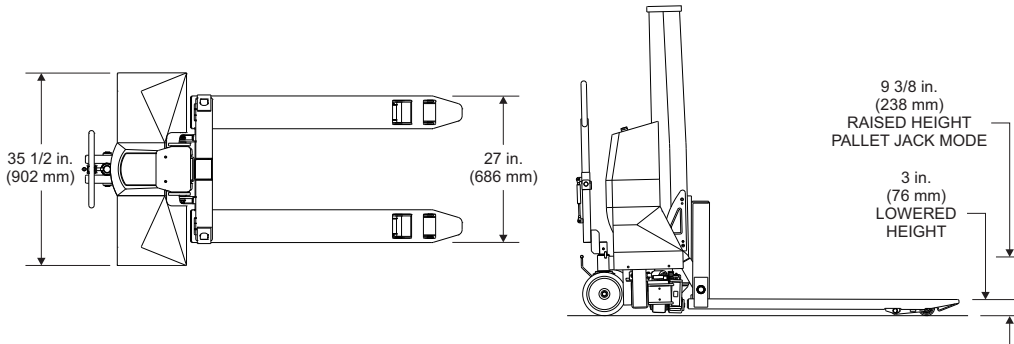
PH: 800-358-8833 US & Canada  
909-390-0055 Outside US/CN

Fax: 800-700-0492

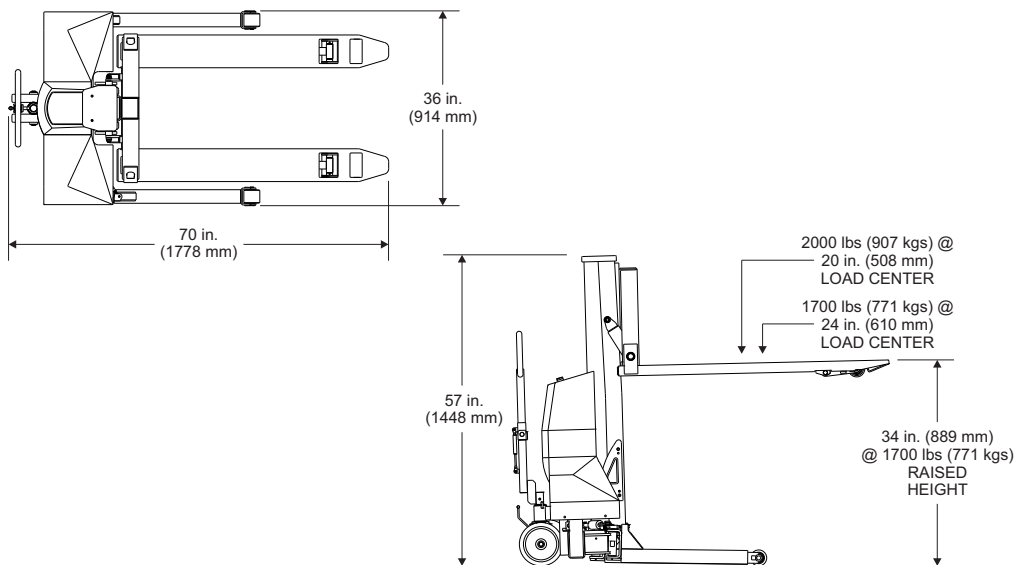
[www.bishamon.com](http://www.bishamon.com)

Warranty - Bishamon Industries Corp. ("Bishamon") warrants its products to be free from defects in material and workmanship for a period of one (1) year from the date of initial shipment. This warranty shall not apply to any misuse, mishandling, accident, shipping, alteration, or unauthorized repair of any Bishamon product or part. For complete details of warranty, please contact Bishamon at 800-358-8833.

### UNI-20 (pallet jack mode)



### UNI-20 (high lift mode)



### Standard Features:

- Can be used with standard GMA pallets and/or skids
- Dual-purpose product allows for both transport and load positioning
- Handles and steers like a standard pallet jack
- Lifting fork height up to 34"
- Lift capacity of 2000# (see chart)
- On-board, automatic battery charger
- Efficient 24 VDC battery system powers lift operation
- Electro-mechanical outrigger actuation with position sensors
- Electronic operator console with "Raise" and "Lower" push buttons, dual function key / battery disconnect switch, outrigger position LEDs and battery status LED
- 8" diameter polyurethane steering wheels
- 3" diameter polyurethane load wheels
- Durable powder coated finish

### UniLift

Model	Pallet Jack Mode Capacity (lbs)	High Lift Mode Capacity 20" Load Center (lbs)	High Lift Mode Capacity 24" Load Center (lbs)	Approximate Shipping Weight (lbs)
UNI-20	2,000	2,000	1700	750

DISTRIBUTED BY:



Bishamon Industries Corporation

5651 East Francis Street  
Ontario, California 91761-3601

PH: 800-358-8833 US & Canada  
909-390-0055 Outside US/CN  
Fax: 800-700-0492