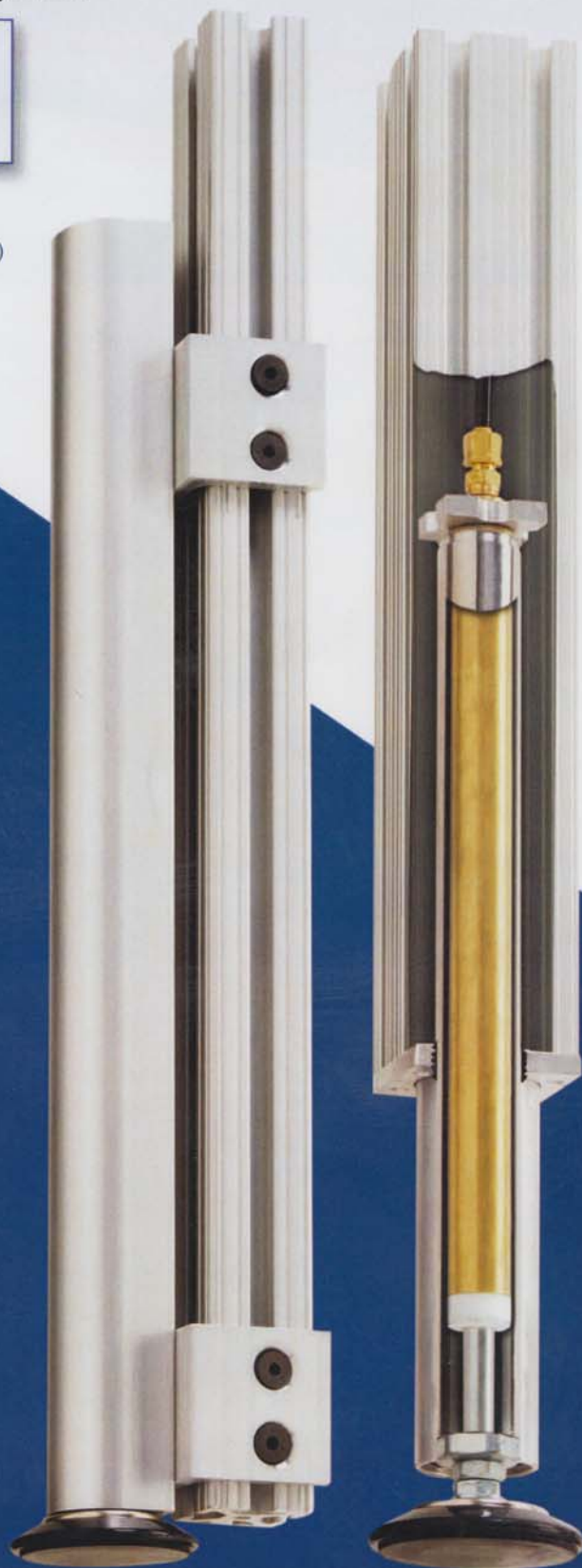


NEW!

Dyna-Lift[®] Internal & External Aluminum Extrusion Mount

Raise or Lower your Extruded Aluminum Structures with an Easy-to-Install
Dyna-Lift[®] Ergonomic System



Monarch Hydraulics, Inc.
Dyna-Lift[®] Group

Phone: 616-458-1306

Fax: 616-458-0079

on the web, dynamlift.com

Technical data

Adjustment ranges available in: 6", 8", 10", 12", 14" and 16" stroke.

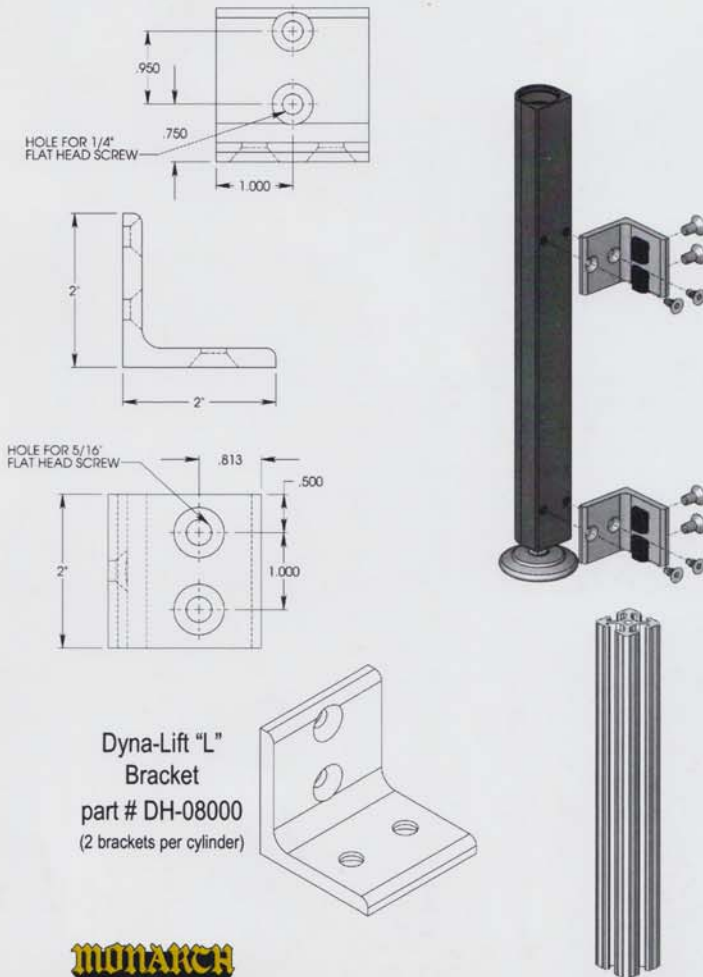
Lifting capacities up to 1,500 lbs. (with a Heavy Duty Dyna-Lift).

Single acting cylinders, power up and gravity down. Approximately 20lbs. of weight per cylinder needed to retract properly.

Manual (hand crank) or electric actuation available.

External Leg Assembly Advantages

- Universally fits many different sizes of extruded aluminum structures via T-Slot.
- Easy installation as an OEM design or as an add-on retrofit to a pre-existing structure.



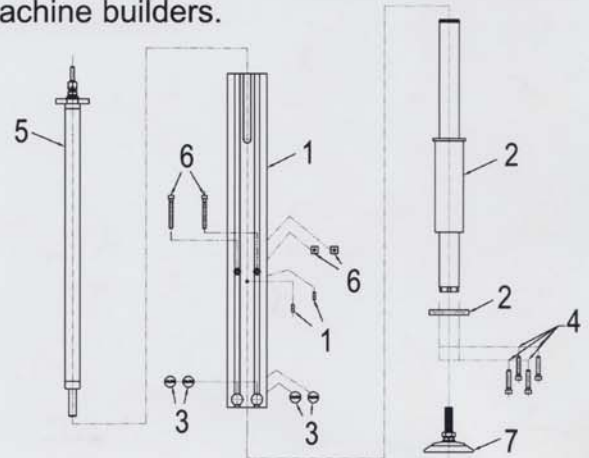
Dyna-Lift "L"
Bracket
part # DH-08000
(2 brackets per cylinder)



Monarch Hydraulics, Inc.
Dyna-Lift® Group

Internal Leg Assembly Advantages

- Easily mounts inside most 2" x 2" and 3" x 3" extruded aluminum structures.
- Internally mounted cylinder neatly hides away unwanted outside obstructions.
- Perfect application for OEM's and custom machine builders.



Assembly Instructions

1. Drive the dowel pins into the #31 drilled holes in extrusion until flush.
2. Slide the end bracket over the support sub assembly so that the counter bore of the bracket mates with the lip on the housing.
3. Insert the support sub assembly with end bracket into the extrusion at the end machined for the butt fasteners.
4. Attach the support sub assembly to the extrusion with the #10-32 cap screws and butt fasteners.
5. Slide the cylinder sub assembly into the slotted end of the extrusion until the cylinder stop hits the dowel pins.
6. Slide the #8-32 cap screws thru the counter bored holes in the extrusion and secure with the t-nuts.
7. Thread the adjustable glide into the foot.

The leg is now ready for table mounting.

Description	Model #
Four Cylinder, Manual, 06" Stroke	4M-A1A-06-INT
Four Cylinder, Manual, 08" Stroke	4M-A1A-08-INT
Four Cylinder, Manual, 10" Stroke	4M-A1A-10-INT
Four Cylinder, Manual, 12" Stroke	4M-A1A-12-INT
Four Cylinder, Manual, 14" Stroke	4M-A1A-14-INT
Four Cylinder, Manual, 16" Stroke	4M-A1A-16-INT
Four Cylinder, Electric, 06" Stroke	4E-A1A-06-INT
Four Cylinder, Electric, 08" Stroke	4E-A1A-08-INT
Four Cylinder, Electric, 10" Stroke	4E-A1A-10-INT
Four Cylinder, Electric, 12" Stroke	4E-A1A-12-INT
Four Cylinder, Electric, 14" Stroke	4E-A1A-14-INT
Four Cylinder, Electric, 16" Stroke	4E-A1A-16-INT