

Ergo-Tilt - when lifting and tilting

High flexibility and efficiency - with an Ergo-Tilt it is easy to transport, carry and tilt boxes and crates.

The design focuses on the safety and ergonomic working conditions of the user - the Ergo-Tilt can tilt boxes and crates up to 90°. The user does not have to bend down or stretch up to reach the components in the bottom of the crate or box - this applies both to standing and sitting work positions.

High quality is ensured through an extended test program and in cooperation with experts in Health and Safety.



Technical Specifications

The Ergo-Tilt can carry, lift and tilt crates and boxes up to 90°, and the working height can be varied.

The handle can be turned to the side and locked, so that the user has free access to the contents of the crate or box.

Optimum safety for the user through

- foot protectors
- parking brake
- safety valve
- emergency stop

Strong construction ensures a long operating life and low maintenance costs.



Perfect working position when emptying boxes and crates - sitting as well as standing.



Remote control for the tilt function.



The Ergo-Tilt being used in the food industry.

Product (measured in inch)	ELT-E	ELTS-E
Capacity in lbs	2200	
Height, tilted h_t	29.5-37.5	
Lifting height h_3	11.25	
Fork length l	31.5/45*	
Overall height with handle h_{14}	43	
Overall height h_1	27	
Overall width b_1	30.75	6.5 + b_4
Fork span b_5	22	
Fork width e	6.5	
Overall length by 31.5" forks l_1	55.5	
Length without forks l_2	23.25	
Run-in length l_x	26.25	29
Overall height h_4	$h_t + l$	
Lowered height h_{13}	3.25	
Load centre c_1	max. $l/2$	
Load centre c_2	min. 8 - max. 16.5	
Width between legs b_4	33.5-37, 37-44.25, 44.25-51.5	
Pump motor	0,8 KW 12V	
Lifting speed lift/tilt	4 s/14 s	
Lowering speed lift/tilt	3 s/11 s	
Weight by 31.5" forks (without battery)	387 lbs.	552 lbs.

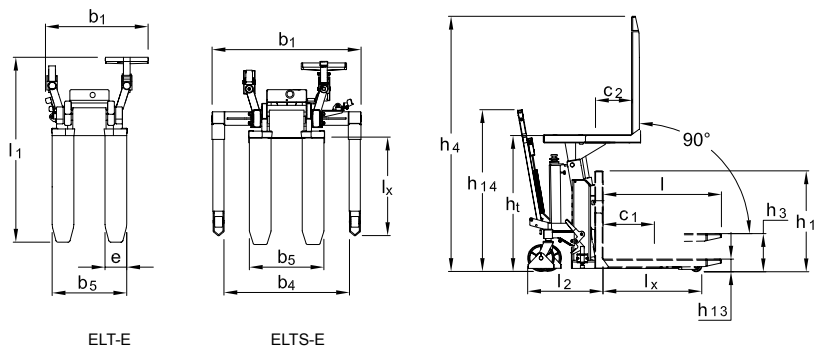
* Reduced capacity 1650 lbs.



The Ergo-Tilt is also available in stainless steel.



The straddle model makes it possible to handle closed pallets. The Ergo-Tilt being used in the component industry.



ELT-E

ELTS-E

We also offer tailor-made solutions.

Please ask for further information or visit www.interthor.com