

JDN AIR HOISTS mini

The JDN mini Series for General Duty

Carrying capacities:


125 kg, 250 kg, 500 kg, 980 kg

Air pressure: 6 bar

The **mini** widens the range of applications in the light duty sector as a handy, flexible and universally deployable hoist making it an ideal tool for a wide range of light/medium manufacturing applications. For heavier duty industrial applications we recommend the JDN PROFI series.

mini Manipulator

With the mini Manipulator loads can be lifted, lowered, manually traversed and positioned with only one hand. Further information on request.

Explosion Classification:  II 3 GD IIA T4(X)



mini 125

mini 1000
in manual trolley

mini
Manipulator

TECHNICAL DATA

Type		mini 125	mini 250	mini 500	mini 1000
Capacity	lbs	275	550	1100	2160
	kg	125	250	500	980
Number of chain strands		1	1	1	1
Motor output	kW	0.4	0.4	1	1
Air pressure	PSI	85	85	85	85
	bar	6	6	6	6
Lifting speed without load ¹	ft/min	130	65	65	33
	m/min	40	20	20	10
Lifting speed at full load ¹	ft/min	49.5	26	33	16
	m/min	15	8	10	5
Lowering speed at full load	ft/min	99	52	59	33
	m/min	30	16	18	10
Lowering speed without load	ft/min	78.7	39.4	39.4	19.7
	m/min	24	12	12	6
Air consumption at full load – lifting	cfm	17.5	17.5	42.5	42.5
	m ³ /min	0.5	0.5	1.2	1.2
Air consumption at full load – lowering	cfm	24.7	24.7	56.5	56.5
	m ³ /min	0.7	0.7	1.6	1.6
Air connection		G 3/8	G 3/8	G 1/2	G 1/2
Hose dimension (Ø inside)	inch.	0.35	0.35	0.5	0.5
	mm	9	9	13	13
Weight with 10ft / 3m lift	lbs	21	23.1	46.2	50.6
	kg	9.5	10.5	21	23
Chain dimension	mm	4 x 12	4 x 12	7 x 21	7 x 21
Weight of chain	lbs/ft	0.23	0.23	0.67	0.67
	kg/m	0.35	0.35	1.1	1.1
Height of lift	ft	10 / 16 / 26			
	m	3 / 5 / 8			
Length of control at standard lift	ft	6.5 / 13 / 20			
	m	2 / 4 / 6			
Noise level at full load ² – lifting	dB(A)	79	79	77	77
Noise level at full load ² – lowering	dB(A)	80	80	83	83

Group mechanism: M3 (1 Bm)

¹ Lifting speed at 2m length of control. Longer control hoses decrease the lifting speeds.

² Measured at 1m distance acc. to DIN 45635 part 20

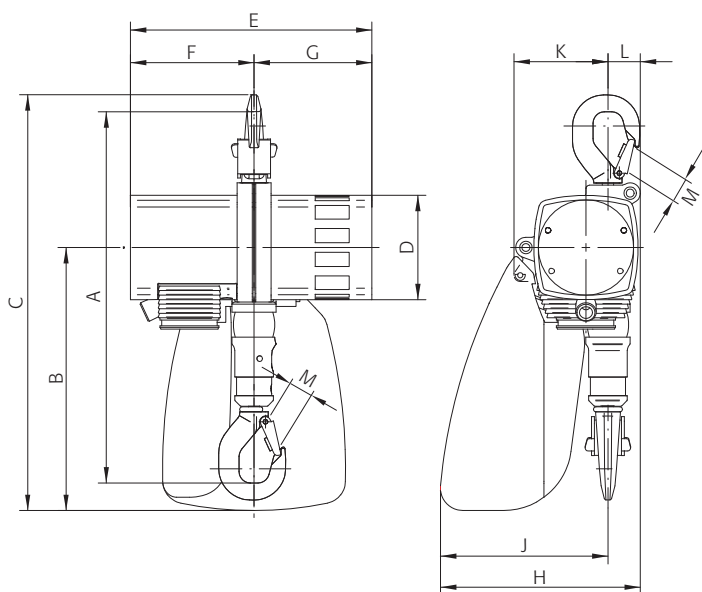
THE ADVANTAGES AT A GLANCE

- ➔ Price competitive alternative when compared to other types of powered hoists.
- ➔ Suitable for lube-free operation.
- ➔ Suitable for application in hazardous areas.
- ➔ Minimum components for ease of maintenance.
- ➔ Wear resistant motor braking system.
- ➔ Lightweight for easy handling.
- ➔ Also suitable for horizontal pulling.
- ➔ Extremely sensitive lever control with emergency shut-off valve, max. control length 6 m.
- ➔ Available lifting heights: 3 m, 5 m, 8 m.
- ➔ With chain box as standard.
- ➔ With manual trolley as option.



DIMENSIONS

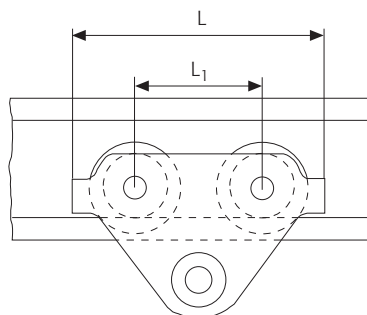
Type		mini 125	mini 250	mini 500	mini 1000
A	inch. mm	12.9 328	12.9 328	18.0 458	18.0 458
B	inch. mm	9.1 232	9.1 232	12.4 316	12.4 316
C	inch. mm	14.4 367	14.4 367	19.9 505	19.9 505
D	inch. mm	3.6 92	3.6 92	4.8 122	4.8 122
E	inch. mm	8.4 213	8.4 213	11.5 292	11.5 292
F	inch. mm	4.3 109	4.3 109	5.8 148	5.8 148
G	inch. mm	4.1 104	4.1 104	5.6 144	5.6 144
H	inch. mm	7 177	7 177	9.2 234	9.2 234
J	inch. mm	5.8 148	5.8 148	7.6 194	7.6 194
K	inch. mm	3.3 83	3.3 83	4.7 119	4.7 119
L	inch. mm	1.1 29	1.1 29	1.6 40	1.6 40
M	inch. mm	0.7 19	0.7 19	1.1 28	1.1 28



MANUAL TROLLEYS FOR JDN AIR HOISTS mini

TECHNICAL DATA

Type		LN 500	LN 1000
For use with:		mini 125 mini 250	mini 500 mini 1000
Beam flange width b	inch. mm	2 - 8 50 - 220	2 - 8 58 - 220
max. flange thickness t	inch. mm	1.3 34	1.2 30
min. curve radius	inch. m	35.4 0.9	39.4 1.0
Weight	lbs kg	17 7.7	21 10.5



DIMENSIONS

Type		LN 500	LN 1000
A	inch. mm	3.1 79.5	3.1 79
D	inch. mm	0.7 17	0.7 17
D ₁	inch. mm	1 25	1.2 30
D ₂	inch. mm	1.2 30	1.4 35
H ₁	inch. mm	1.2 30	1 25
l	inch. mm	2.7 67.5	3.2 81.5
L	inch. mm	10.2 260	10.2 260
L ₁	inch. mm	5.1 130	5.1 130
O	inch. mm	2.2 55	2.7 68
T	inch. mm	5.7 144	5.9 151

