

EZ UP[®]

PNEUMATIC LIFT TABLE

Bishamon[®]



The Bishamon EZ-UP is the ideal lifting and work positioning solution whenever operator control is required and shop air is convenient. Incorporating many of the same advanced ergonomic features as the popular EZ Loader (captive air pallet positioners), the EZ-UP utilizes constant shop air, allowing the operator to position the load for loading or unloading. The integral rotator ring eliminates the need to reach, stretch or walk around the pallet, making the EZ-UP an unsurpassed ergonomic tool that helps increase productivity at your facility. Pneumatic lifts contain no electrical or hydraulic components, and require little maintenance. They provide the ideal tool where cleanliness is a must and where sparks can be hazardous. Lift tables in general position the work closer to the worker, which reduces the risk of injury, worker fatigue, or the chance of damage to sensitive products that are work in process. Typical applications are found in most any manufacturing, processing or distribution facility.

Bishamon

Bishamon Industries Corporation

Distributed by Ergonomic Partners
Sales@ErgonomicPartners.com
www.ErgonomicPartners.com
Tel: (314) 884-8884

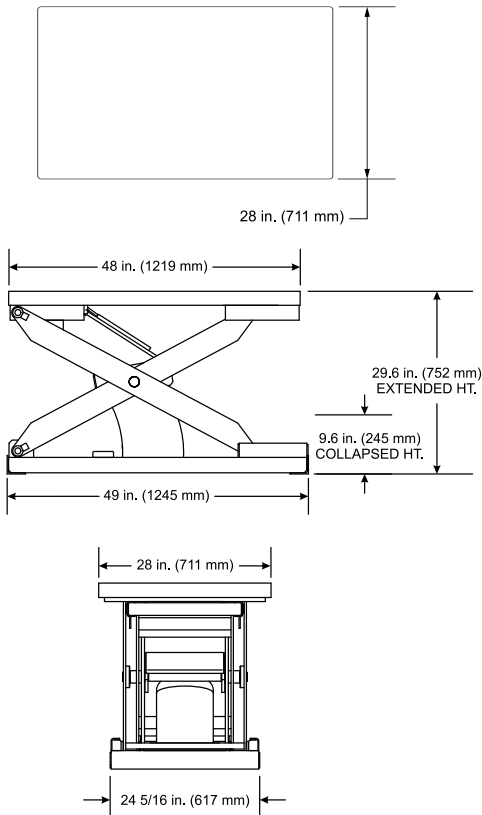
Warranty - Bishamon Industries Corp. ("Bishamon") warrants its products to be free from defects in material and workmanship for a period of one (1) year from the date of initial shipment. This warranty shall not apply to any misuse, mishandling, accident, shipping, alteration, or unauthorized repair of any Bishamon product or part. For complete details of warranty, please contact Bishamon at: 800-358-8833.

EZ UP[®]

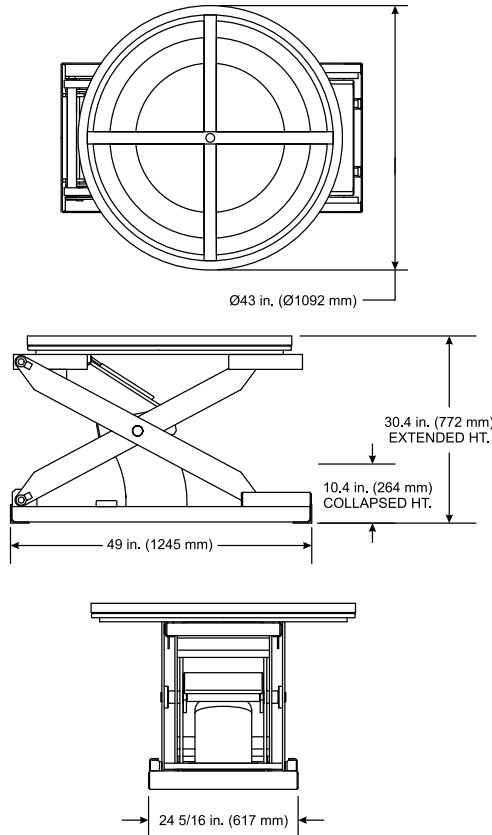
EZU & EZU-R PNEUMATIC LIFT TABLES

Working Harder To
Make Your Life Easier

EZ UP Model EZU-15



EZ UP Model EZU-15-R



Standard Features

- Firestone Airstroke Actuator raises and lowers the table platform to vertically position the load to the desired height
- Hand or foot control is standard
- Durable and attractive polyester powder coating adds life and superior corrosion resistance to the finish
- Heavy-duty structural steel construction with rugged base frame
- Entrapped rollers on base and platform for added stability
- Hinged maintenance bars
- Rotating models feature a secured center pivot with ball bearing that provides smooth, even rotation
- High quality 3 position hand lever control allows easy operation
- Clean design with minimum of maintenance needed
- Easily relocated with a fork truck

Optional Accessories

- Rotator Ring Brake
- Accordion Bellows Skirting
- Semi-Live Portability
- Rotating Platform - Solid Rectangular 44x44 / 44x48 / 48x48
- Pedestal Valve Stand for Hand Control

Selector Table for EZU Series Pallet Positioners

Model	Travel (inches)	Capacity		Height (Inches)		Standard Platform Size (inches)	Ship Weight
		@ 90 PSI	@100 PSI	Lowered	Raised		
EZU-15-R	20	1,500 lbs.	1,700 lbs.	10.4	30.4	43 diameter	525
EZU-15	20	1,500 lbs.	1,700 lbs.	9.6	29.6	28 x 48	480
EZU-15-R-SS*	20	1,500 lbs.	1,700 lbs.	10.4	30.4	43 diameter	525

* Stainless steel model for washdown and clean room applications
All accessories are field installable



EZU-15-R With Optional Valve Stand



Bishamon Industries Corporation

Distributed by Ergonomic Partners
Sales@ErgonomicPartners.com
www.ErgonomicPartners.com
Tel: (314) 884-8884