



ASSEMBLY INSTRUCTIONS — PUSH BUTTON STATIONS K & RPB-SERIES PENDANTS

INSTRUCTIONS

1. Peel off the backing of the desired labels and press into the label cavities on the station face. Press down for adhesion.
2. Measure the end of the cable and remove the cable jacket back for proper wire length and insert through the cord grip and grommet. On the K model the cord grip can be cut to match the cable size.
3. Strip the wires back 1/4" and connect to the proper terminals. Tighten securely.
4. On the RPB model, connect the green ground to the backplate with a #6 screw.
5. Secure the back cover to the station after wiring is complete.
6. Check the cord grip for fit depending on station used.

IMPORTANT

1. Follow the wiring diagrams supplied by the manufacturer or crane builder closely.
2. After safety precautions are followed, check all crane motions to insure that wiring is correct.

SWITCH CONTACT RATING

Dow P/N	Description	Voltage	AC Current
RB-1	Single-Speed	28	20
	1 HP 125 VAC	125	20
	2 HP 250 VAC	250	20
RB-2A	Two-Speed Cumulative	28	10
RB-2	Two-Speed Non Cumulative	28	10
	1/3 HP 125 VAC	125	10
	1/2 HP 250 VAC	250	10

Switches Are Listed By Underwriters Laboratories, Inc. And C.S.A.

The switches supplied with this station are rated at currents substantially higher than those normally encountered in control applications. It should be noted, however, that electrical failures in associated equipment can cause currents to flow which far exceed even these high ratings.

See Overleaf for Wiring Diagrams

CAUTION

MAKE CERTAIN POWER SUPPLY IS DISCONNECTED BEFORE INSTALLING, REPAIRING, OR WORKING IN THE PROXIMITY OF ANY ELECTRICAL SYSTEM. ONLY QUALIFIED ELECTRICAL PERSONNEL SHOULD INSTALL OR REPAIR THESE PRODUCTS.



345 Adams Circle
Corona, CA 92882

1351 W. Second Street
Oconomowoc, WI 53066

1445 Norjohn Ct., Unit 10 Burlington,
ON L7L 0E6

Distributed by Ergonomic Partners | Sales@ErgonomicPartners.com | (314) 884-8884 | www.ErgonomicPartners.com

J SERIES PUSH BUTTON INSERTS RPS SERIES PSW SERIES

SCHEMATIC & OPERATIONAL DIAGRAMS

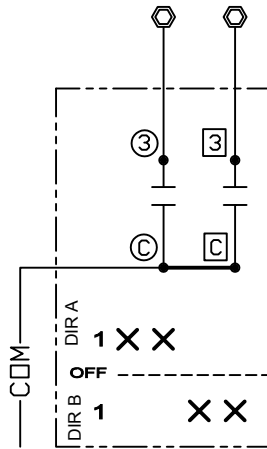
(MULTI-SPEED INSERTS ARE ALL PROGRESSIVE STEP)

⚠ WARNING

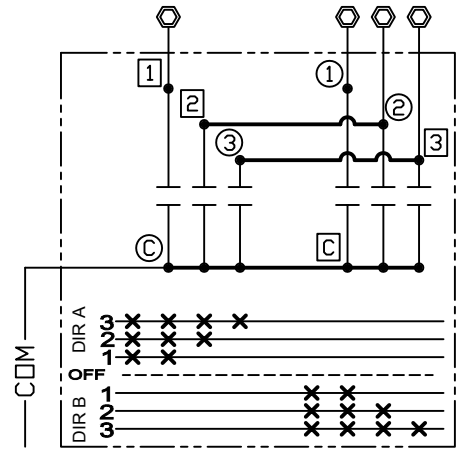
MAKE CERTAIN POWER SUPPLY IS DISCONNECTED BEFORE INSTALLING, REPAIRING, OR WORKING IN THE PROXIMITY OF ANY ELECTRICAL SYSTEM. ONLY QUALIFIED ELECTRICAL PERSONNEL SHOULD INSTALL OR REPAIR THESE PRODUCTS.

NOT DESIGNED FOR DC CIRCUITS

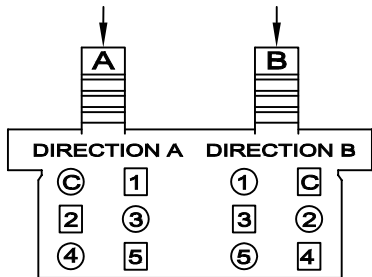
MECHANICAL INTERLOCK MODELS PB-1B, PB-3B, PB-5B, ETC. USE THE SAME WIRING DIAGRAM AS THEIR RESPECTIVE "A" MODEL.



**PB-1A
1 - SPEED INSERT**

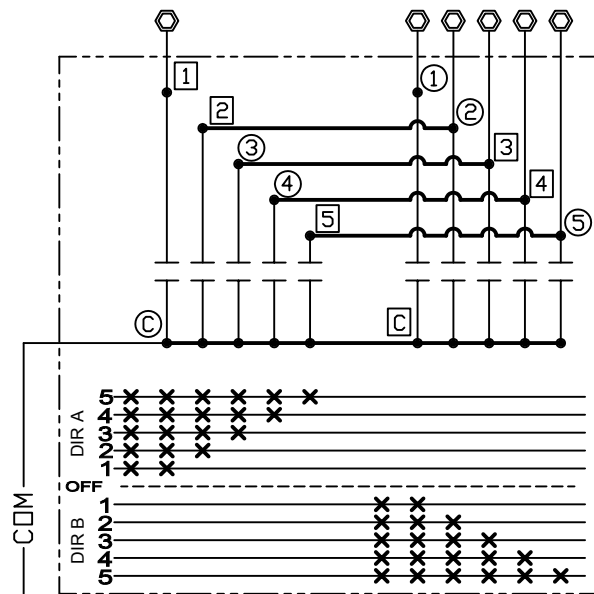


**PB-3A
MULTI - SPEED INSERT
3 - SPEED WIRING**



□ FRONT SIDE TERMINALS (DIR A)
○ BACK SIDE TERMINALS (DIR B)

**TYPICAL PB
TERMINAL
LAYOUT**



**PB-5A
MULTI - SPEED INSERT
5 - SPEED WIRING**

NOTES:

1. TERMINALS FOR SINGLE AND MULTI-SPEED PUSH BUTTON INSERTS ARE NOT ALL FOUND ON THE SAME SIDE OF THE PUSH-BUTTON TERMINAL BLOCK.
2. THE NON-MECHANICAL SWITCHES SHOULD BE ELECTRICALLY INTERLOCKED IN THE CONTROL PANEL THROUGH THE REVERSING CONTACTOR.

PUSH-BUTTON INSERT RATING: 125 VAC, ONE AMP CONTINUOUS PER CONTACT

PUSH BUTTON INSERTS

J SERIES RPS SERIES PSW SERIES

SCHEMATIC & OPERATIONAL DIAGRAMS

⚠ WARNING

MAKE CERTAIN POWER SUPPLY IS DISCONNECTED BEFORE INSTALLING, REPAIRING, OR WORKING IN THE PROXIMITY OF ANY ELECTRICAL SYSTEM. ONLY QUALIFIED ELECTRICAL PERSONNEL SHOULD INSTALL OR REPAIR THESE PRODUCTS.

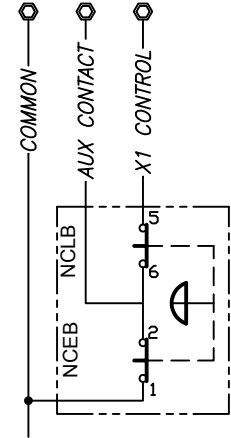
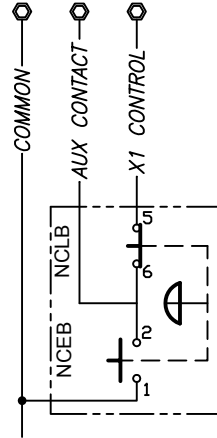
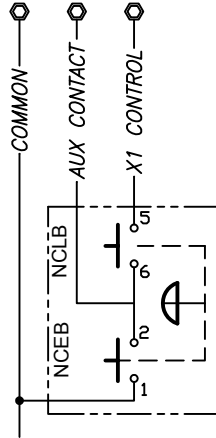
NOT DESIGNED FOR DC CIRCUITS

3 POSITION E-STOP

POSITION 1 = OFF (DOWN)

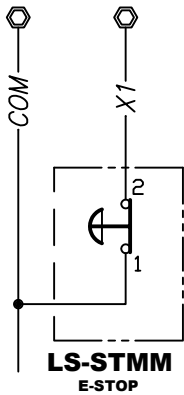
POSITION 2 = RUN (CENTER)

POSITION 3 = START (PULL - MOMENTARY)

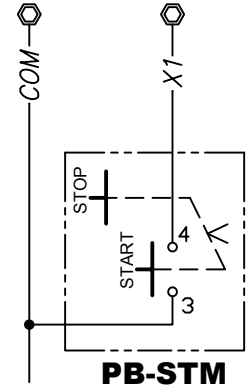
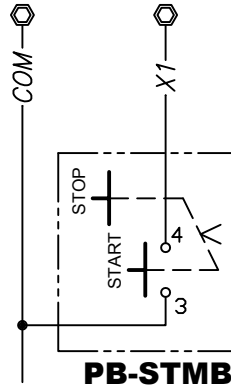
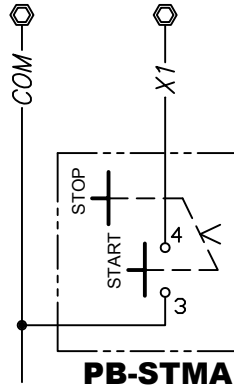


LS-STMM-A E-STOP WITH MOMENTARY START

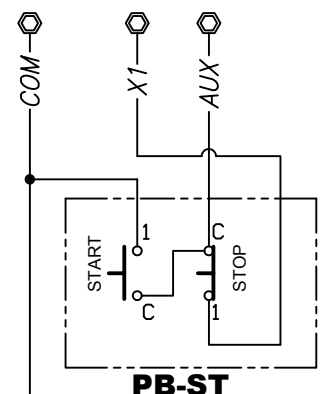
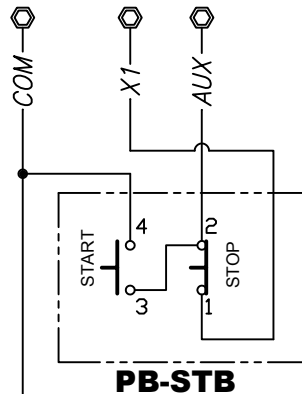
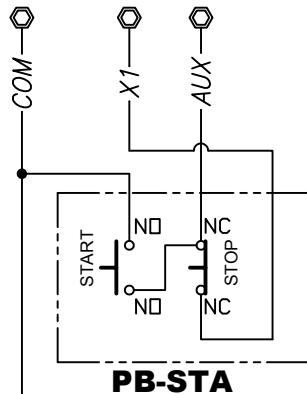
E-STOP



MAINTAINED START/STOP INSERTS



MOMENTARY START/STOP INSERTS



PUSH-BUTTON INSERT RATING: 125 VAC, ONE AMP CONTINUOUS PER CONTACT